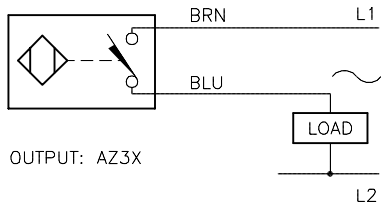


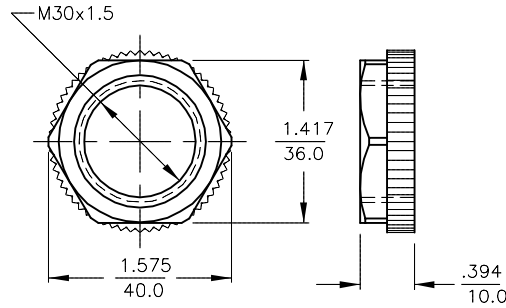
WIRING DIAGRAMS



OUTPUT: AZ3X

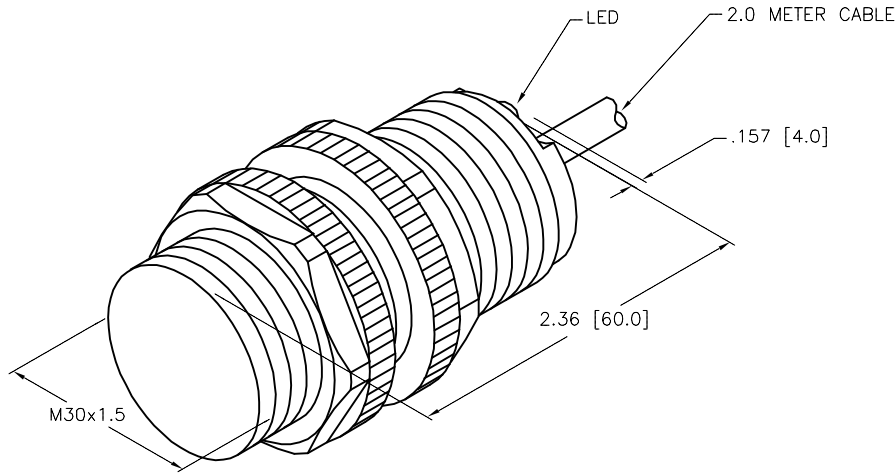
**WARNING: NO SHORT-CIRCUIT PROTECTION**  
ALWAYS WIRE A LOAD IN SERIES WITH THE SENSOR.

LOCKNUT LN-P30



SPECIFICATIONS

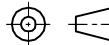
RATED OPERATING DISTANCE	10mm = .394" (NOMINAL)
MOUNTING MODE	FLUSH
REPEATABILITY	RATED OPERATING DISTANCE
HYSTERESIS	3-15%
AMBIENT TEMPERATURE	-25°C to +70°C (-13°F to +158°F)
OPERATING VOLTAGE	20-250 VDC/DC
CONTINUOUS LOAD CURRENT	≤ 500 mA
LINE FREQUENCY	40-60 Hz
RESIDUAL CURRENT	≤ 1.7 mA
PROTECTION AGAINST TRANSIENTS	5 kV, 10 ms, 10 kΩ
MIN. OPERATING CURRENT	≥ 5.0 mA
INRUSH CURRENT	≤ 8 A (≤ 10 ms/5 Hz)
MAX. VOLTAGE DROP	≤ 7.0 V
OUTPUT FUNCTION	NORMALLY OPEN, 2-WIRE, AC, SELF-CONTAINED
SHORT-CIRCUIT PROTECTION	NO
TIME DELAY BEFORE AVAILABILITY	≤ 20 ms
POWER-ON EFFECT PROTECTION	INCORPORATED
SWITCHING FREQUENCY	≤ 0.02 kHz
VIBRATION RESISTANCE	55 Hz (IN ALL 3 PLANES)
SHOCK RESISTANCE	30 g, 11 ms
PROTECTION DEGREE	IP67
SWITCHING STATUS INDICATION	LED; RED



RELATED DOCUMENTS

- 1.
- 2.
- 3.
- 4.

3RD ANGLE PROJECTION



THIS DRAWING IS CONFIDENTIAL AND THE PROPERTY OF TURCK INC. USE OF THIS DOCUMENT WITHOUT WRITTEN PERMISSION IS PROHIBITED.

**TURCK INC**  
High Technology Sensors and Automation Controls

3000 CAMPUS DRIVE  
MINNEAPOLIS, MN 55441  
1-800-544-7769  
(763) 553-7300  
(763) 553-0708 fax  
turck.com

MATERIAL  
PA 12-GF30  
PLASTIC BARREL

FINISH

ALL DIMENSIONS DISPLAYED ON THIS DRAWING ARE FOR REFERENCE ONLY

CONTACT TURCK FOR MORE INFORMATION

DRFT RDS DATE 08/25/03  
DSGN BT SCALE 1=1.3

UNIT OF MEASUREMENT  
**INCH [ MILLIMETER ]**

DO NOT SCALE THIS DRAWING

DESCRIPTION  
B110-P30-AZ3X

IDENTIFICATION NO.  
T4374992

REV  
B

B	UPDATE OPERATING VOLTAGE, SEE ECO	RWC	08/09/07	18320
REV	DESCRIPTION	BY	DATE	ECO NO.